

Fig. 1  
(PRIOR ART)

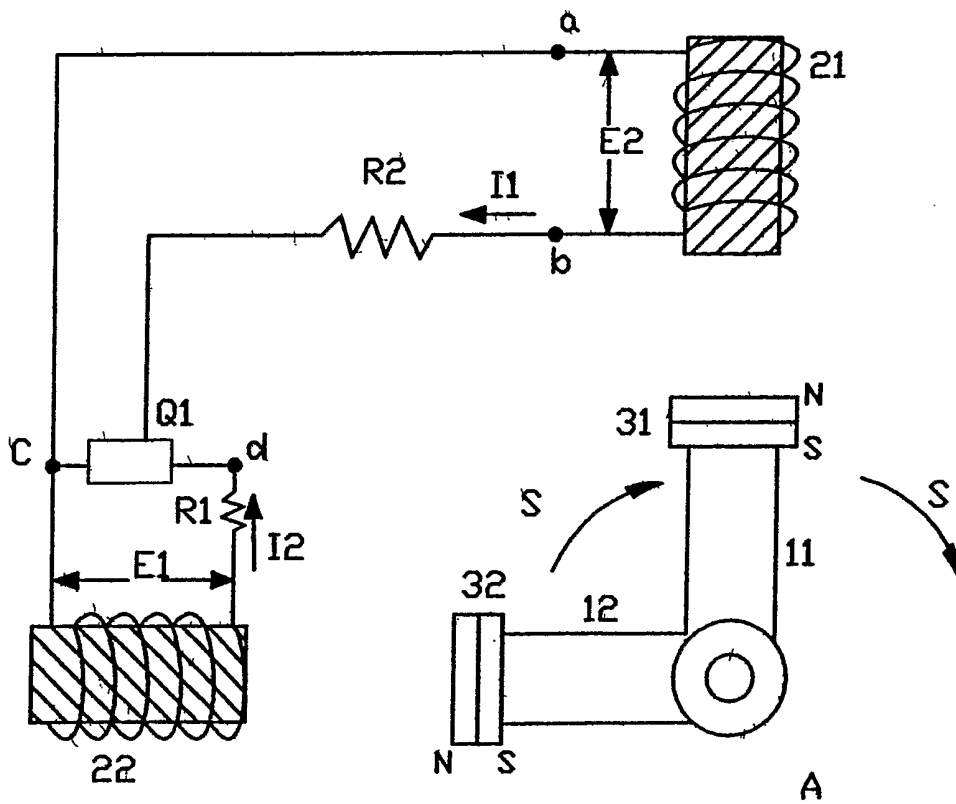


Fig. 2