

May 22, 1951

H. N. SHAW

2,553,875

ELECTRIC HEATING ELEMENT

Filed June 30, 1948

2 Sheets-Sheet 1

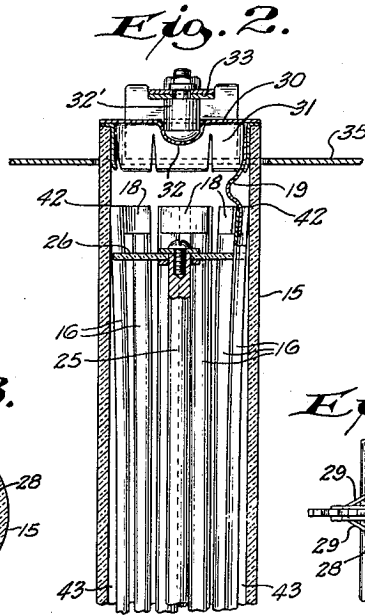
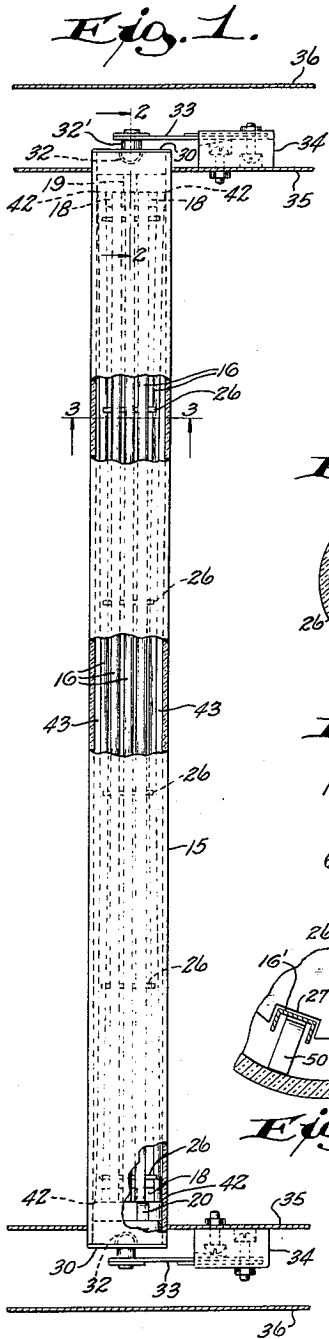


Fig. 3.

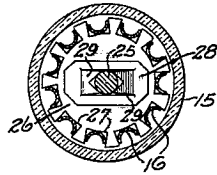


Fig. 5.

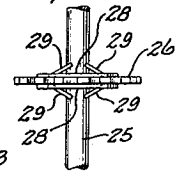


Fig. 4.

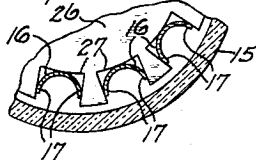


Fig. 6.

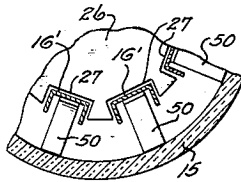
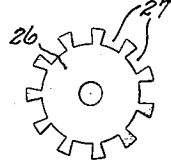
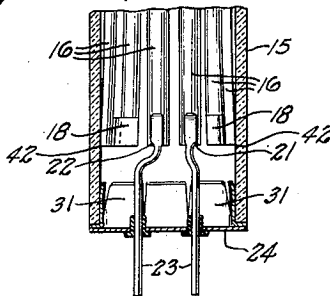


Fig. 12.

Fig. 7.



INVENTOR.

Harold N. Shaw

BY

Morsell & Morsell
ATTORNEYS.